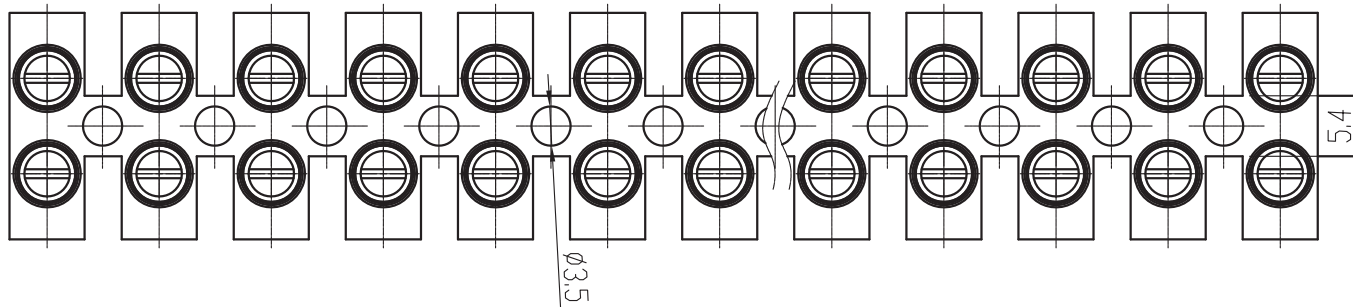


# CIXI WANJIE ELECTRONIC CO., LTD

## THE SPEC SHEET



### Electrical

Standard	UL	IEC
Rated voltage	300V	450V
Rated current	26A	24A
Contact resistance	20m $\Omega$	
Insulation resistance	500M $\Omega$ /DC500V	
Wire range	20~10AWG	6mm <sup>2</sup>
Wrth standing voltage	AC 2000V/1 Min	

### Mechanical

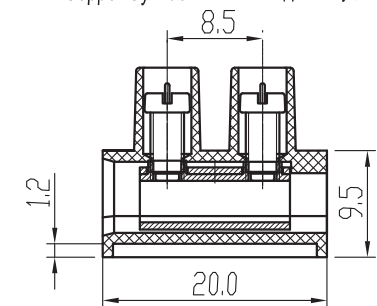
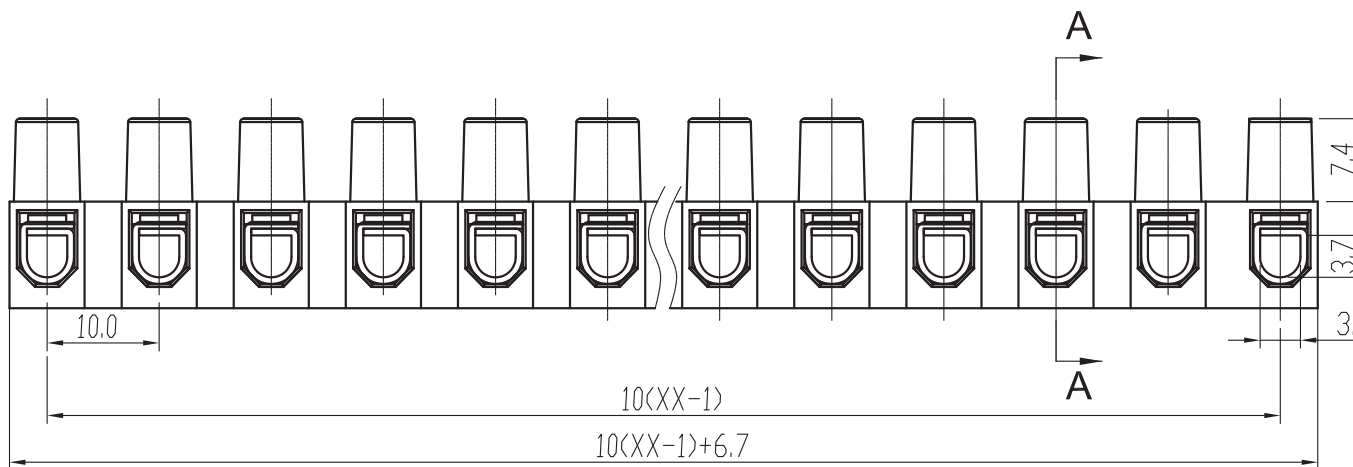
Torque	0.5Nm(4.5Lb.in)
Temp.Range	-40°C~+105°C
Steip Length	7-8mm

### Dimensions

Pitch	10.0mm
Poles	2~12p

### Material

Housing	PA66, UL94V-2
Screws	M3 Steel, Zn plated
Copper Cylinder	Copper alloy ,Zn plated



Section A-A

linear dimension(Tolerances Standard GB/T 14486-2008)											≡	—	□	//	⊥	
variable range	to 6	over 6 to 10	over 10 to 18	over 18 to 30	over 30 to 50	over 50 to 80	over 80 to 120	over 120 to 160	over 160 to 200	over 200 to 250	all	to 5	over 5 to 30	over 30 to 120	over 120 to	
tolerance	±0.1	±0.14	±0.19	±0.25	±0.32	±0.45	±0.57	±0.72	±0.88	±1.05	±1.25	0.5	0.025	0.06	0.12	0.4

UNITS	mm	SIZE	A4	SCALE	1.5:1	THIRD ANGLE PROJECTION
CIXI WANJIE ELECTRONIC CO., LTD						TITLE MY10HS-1.2-10.0-XXP-1YY-00A